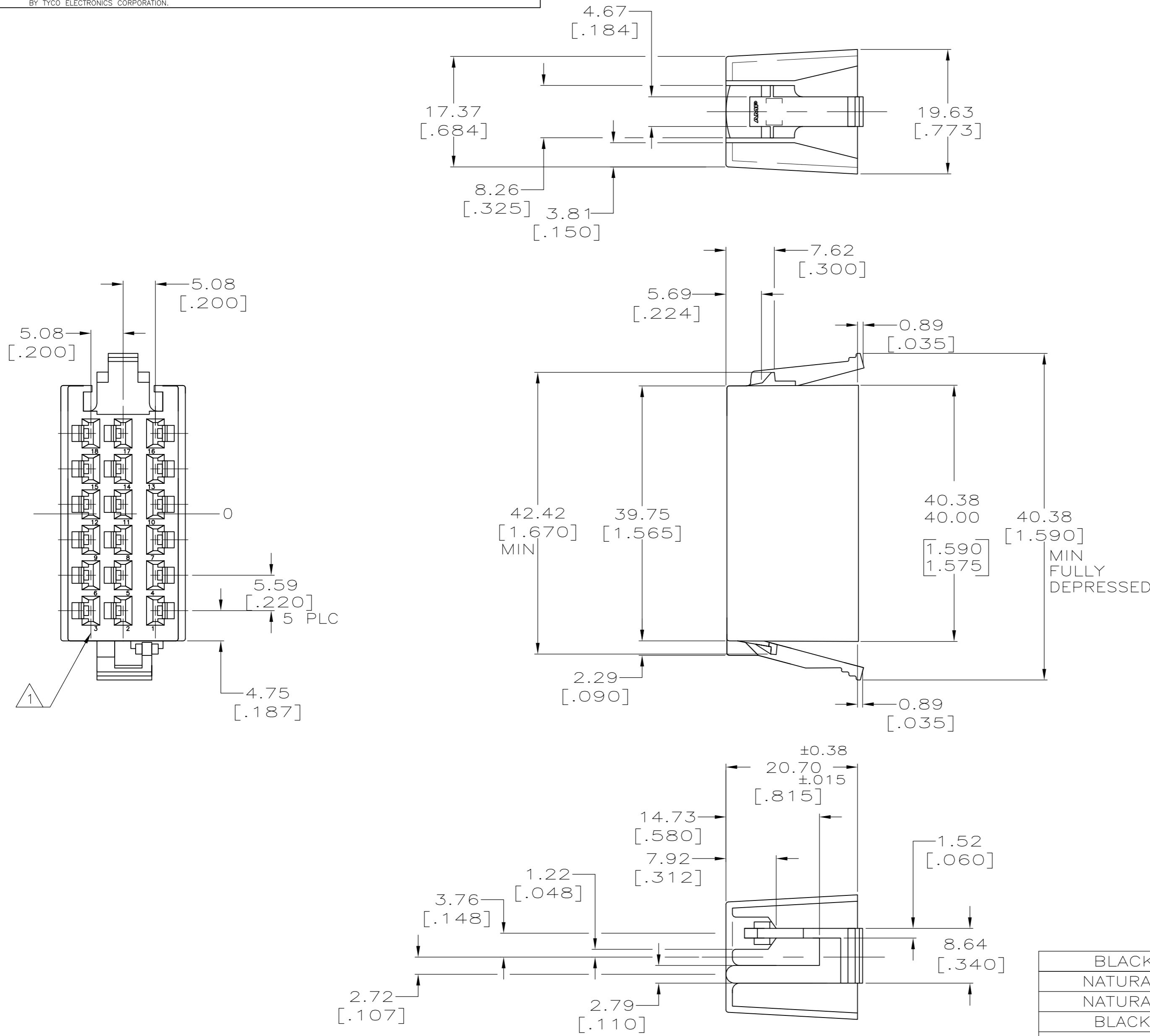


THIS DRAWING IS UNPUBLISHED. RELEASED FOR PUBLICATION  
 © COPYRIGHT BY TYCO ELECTRONICS CORPORATION. ALL RIGHTS RESERVED.

| LOC | DIST | REVISIONS |     |                           |         |     |      |
|-----|------|-----------|-----|---------------------------|---------|-----|------|
|     |      | P         | LTR | DESCRIPTION               | DATE    | DWN | APVD |
| AF  | 50   |           | V1  | REVISED PER ECR-07-002546 | 02FEB07 | HMR | KJ   |
|     |      |           | V2  | REVISED PER ECO-10-000443 | 18JAN10 | KK  | AEG  |

- 1 CIRCUIT IDENTIFICATION.
- 2 FOREIGN PRODUCTION ONLY.
- 3 OBSOLETE PARTS: OBSOLETE CIS STREAMLINING PER D.RENAUD/D.SINISI



| FINISH  | MATERIAL             | PART NUMBER |
|---------|----------------------|-------------|
| BLACK   | NYLON 6/66, UL 94V-0 | 770199-4    |
| NATURAL | NYLON 6/6            | 770199-3    |
| NATURAL | NYLON 6/6, UL94 V-0  | 770199-2    |
| BLACK   | NYLON 6/6            | 770199-1    |

|  |  |                                 |   |  |
|--|--|---------------------------------|---|--|
| THIS DRAWING IS A CONTROLLED DOCUMENT. |  | DWN<br>M.S. FEHER<br>10NOV2000  | Tyco Electronics Corporation<br>Harrisburg, Pa 17105-3608 |  |
| DIMENSIONS:<br>mm [INCHES]             | TOLERANCES UNLESS OTHERWISE SPECIFIED: | CHK<br>J.R. RUTH<br>10NOV2000   | NAME<br>DON DECKER  |  |
|  | 0 PLC ± -                              | APVD<br>DON DECKER<br>10NOV2000 | PRODUCT SPEC  |  |
|  | 1 PLC ± -                              | APPLICATION SPEC                | -   |  |
|  | 2 PLC ± 0.25 [.010]                    | WEIGHT                          | -   |  |
|  | 3 PLC ± -                              | SCALE                           | A2 00779 C=770199   |  |
|  | 4 PLC ± -                              | CUSTOMER DRAWING                | RESTRICTED TO   |  |
|  | ANGLES ± -                             | SCALE                           | 2:1   |  |
| MATERIAL<br>SEE TABLE                  | FINISH<br>SEE TABLE                    | SHEET                           | 1 OF 1  |  |
|  |  | REV                             | V2  |  |